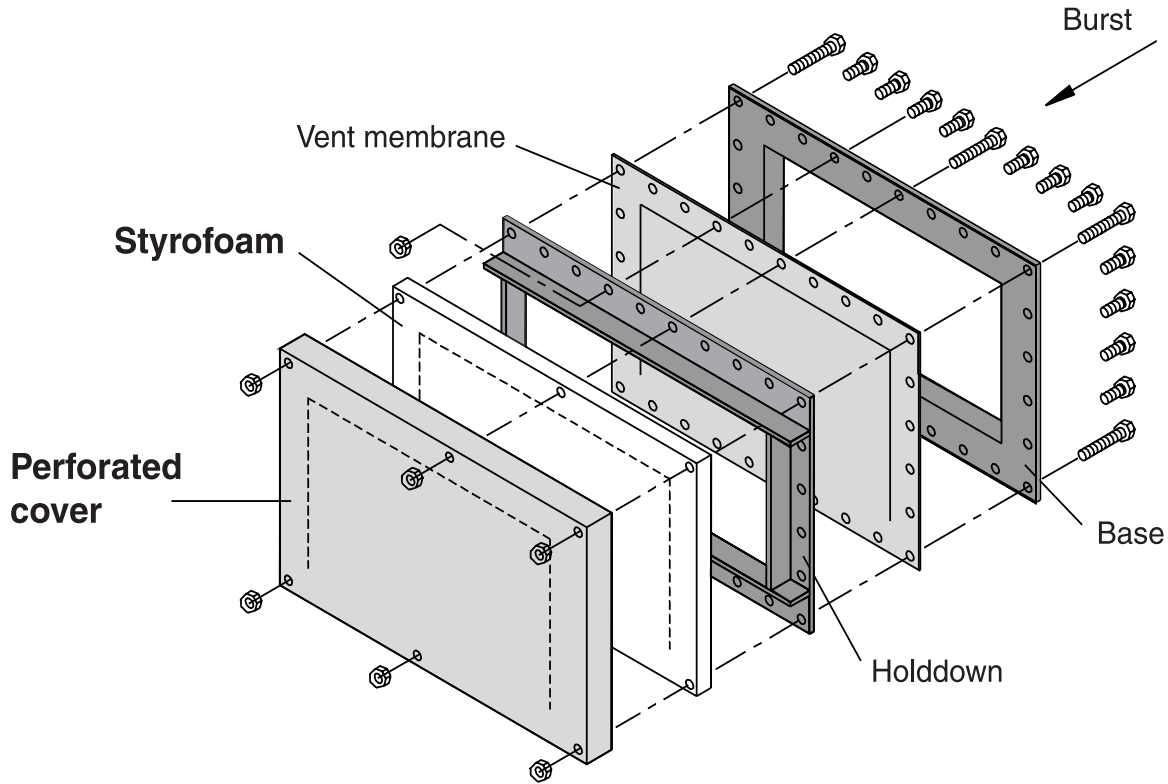




Explosion Vent Accessory

Explosion Protection Component Sheet # C3770



External Insulation

DESCRIPTION

The Fike external insulation kit can be added to explosion vent assemblies to provide thermal insulation. The kit consists of a 2" slotted styrofoam board, a perforated stainless steel cover, and spacers. This insulation helps prevent condensation in the protected enclosure and provides process temperature control. Dynamic testing of complete vent and insulation assemblies has validated explosion vent performance.

TECHNICAL SPECIFICATIONS

Thermal Resistance Factor, R

10 Hr - °F - ft² / BTU

Maximum Temperature

165°F

Compatible vent shapes

Square and rectangular

Compatible vent types

CV, CV-SF, CV-I, CV-CF, CV-H, V_{max}



704 South 10th Street • Blue Springs, Missouri 64015-4263 U.S.A.
(816) 229-3405 • Telefax (816) 228-9277
Home Page: <http://www.fike.com> • e-mail: fmprsales@fike.com

April, 2000

New Issue