



## Foam Chambers

The Chemguard Foam Chamber consists of a foam expansion chamber and an integral foam maker. The foam chamber is installed on a flammable liquid storage tank just below the roof joint. The foam solution is piped to the chamber from outside the hazard area. Upon entering the chamber, the foam solution is expanded and then discharged against a deflector inside the storage tank. The deflector directs the foam against the inside wall of the storage tank. This reduces the submergence of the foam and agitation of the fuel surface. (NFPA Type II Application)

### FEATURES

- U. L. Listed
- (4) models available to cover all flow requirements
- Top of chamber has handle, which simplifies inspection access to the vapor seal
- Frangible glass vapor seal is provided. The glass is scored on one side and designed to break at a minimum 10 psi but not greater than 20 psi.
- Chamber manufactured in ASTM A36 carbon steel with a 304 stainless steel screen covering the foam maker air inlets
- All foam chamber inlets and outlets are flat faced and drilled to ANSI 150 lb. standard. Flange gaskets are provided.
- Choice of two styles of deflector is available (split or solid)
- Finished with durable red epoxy paint
- A stainless steel inlet orifice is supplied. Chemguard sizes the orifice based on the foam solution flow requirements and the foam solution inlet pressure available at the base of the foam chamber.

### ORDERING INFORMATION

*When ordering please supply the following:*

1. Minimum inlet pressure at base of foam chamber and foam solution flow rate required (It is recommended a minimum of 40 PSI inlet pressure be available)
2. Type of deflector required - solid or split
3. Mounting pad if required

Part Number	Flow
FC 2.50	58-177 GPM
FC 3.00	101-292 GPM
FC 4.00	180-642 GPM
FC 6.00	540-1090 GPM

**CHEMGuard**  
 204 S. 6<sup>th</sup> Ave • Mansfield, Tx 76063 • (817) 473-9964 • FAX (817) 473-0606

[www.chemguard.com](http://www.chemguard.com)

## ORDERING INFORMATION

Part No:	Description	Approx. Shipping Wt.	Lb. (Kg.)	GPM
FC 2.50	2½" Foam Chamber	60	(27.2)	58-177 GPM
FC 2.51	2½" Solid Deflector	5	(2.3)	
FC 2.52	2½" Split Deflector	5	(2.3)	
FC 2.53	2½" Mounting Pad	15	(6.8)	
FC 2.54	Spare Vapor Seal Assembly	1	(0.5)	
FC 3.00	3" Foam Chamber	100	(45.4)	101-292 GPM
FC 3.01	3" Solid Deflector	10	(4.5)	
FC 3.02	3" Split Deflector	10	(4.5)	
FC 3.03	3" Mounting Pad	20	(9.1)	
FC 3.04	Spare Vapor Seal Assembly	1	(0.5)	
FC 4.00	4" Foam Chamber	145	(65.8)	180-642 GPM
FC 4.01	4" Solid Deflector	20	(9.1)	
FC 4.02	4" Split Deflector	20	(9.1)	
FC 4.03	4" Mounting Pad	35	(15.9)	
FC 4.04	Spare Vapor Seal Assembly	1	(0.5)	
FC 6.00	6" Foam Chamber	270	(122.5)	540-1090 GPM
FC 6.01	6" Solid Deflector	30	(13.6)	
FC 6.02	6" Split Deflector	30	(13.6)	
FC 6.03	6" Mounting Pad	50	(22.7)	
FC 6.04	Spare Vapor Seal Assembly	2	(0.9)	

### Note:

**Each foam chamber comes complete with the following:**

- (1) Vapor seal
- (1) Orifice - sized per customer requirements
- (2) Vapor seal gaskets
- (1) Inspection cover gasket
- (2) Inlet gaskets
- (2) Outlet gaskets

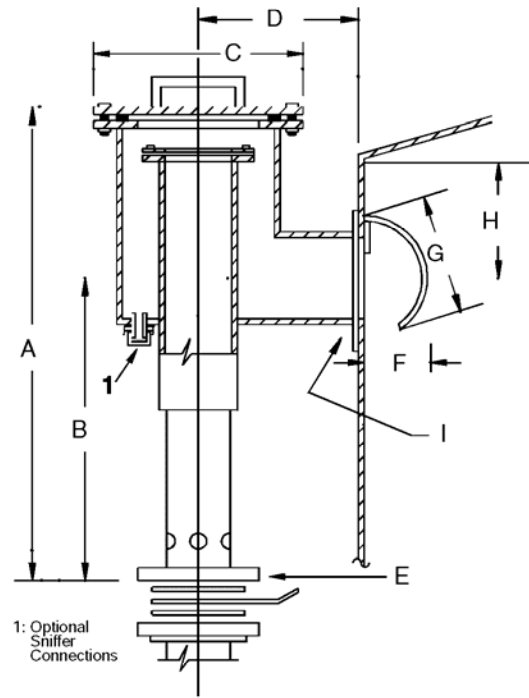
Various nuts, bolts, etc. to make complete assembly.

Deflectors, mounting pads and spare vapor seal assemblies sold separately.

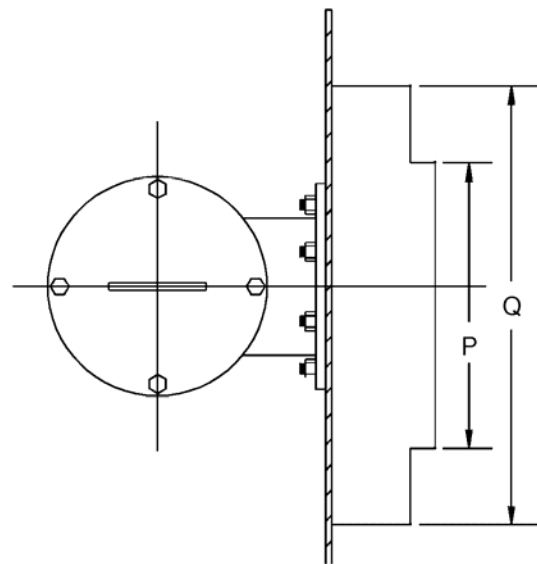
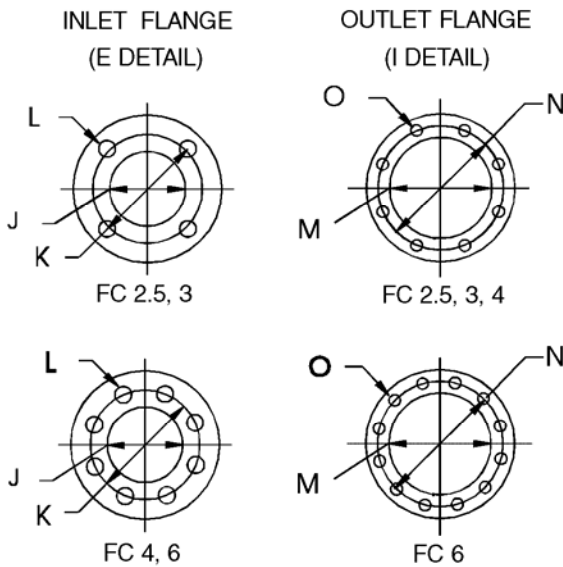
**CHEM GUARD**  
204 S. 6<sup>th</sup> Ave • Mansfield, Tx 76063 • (817) 473-9964 • FAX (817) 473-0606  
[www.chemguard.com](http://www.chemguard.com)

CHAMBER DIMENSIONS

	FC 2.5	FC 3	FC 4	FC 6
A	29 IN.	34 3/4 IN.	38 1/2 IN.	44 3/4 IN.
B	17 1/2 IN.	22 1/4 IN.	23 1/2 IN.	27 1/2 IN.
C	10 5/8 IN.	12 3/4 IN.	14 3/4 IN.	18 IN.
D	7 IN.	9 IN.	10 IN.	12 IN.
E	2 1/2 IN.	3 IN.	4 IN.	6 IN.
F	3 1/4 IN.	4 1/4 IN.	5 3/8 IN.	6 3/8 IN.
G	6 1/2 IN.	8 1/2 IN.	10 1/2 IN.	12 1/2 IN.
H	8 IN.	9 1/2 IN.	11 IN.	12 IN.
I	4 IN.	6 IN.	8 IN.	10 IN.
J	2 7/8 IN.	3 1/2 IN.	4 1/2 IN.	6 5/8 IN.
K	5 1/2 IN.	6 IN.	7 1/2 IN.	9 1/2 IN.
L	3/4 IN.	3/4 IN.	7/8 IN.	7/8 IN.
M	4 1/2 IN.	6 5/8 IN.	8 5/8 IN.	10 3/4 IN.
N	7 1/2 IN.	9 1/2 IN.	11 3/4 IN.	14 1/4 IN.
O	3/4 IN.	7/8 IN.	7/8 IN.	1 IN.
P	8 IN.	12 IN.	16 IN.	20 IN.
Q	12 IN.	18 IN.	24 IN.	30 IN.



SIDE VIEW

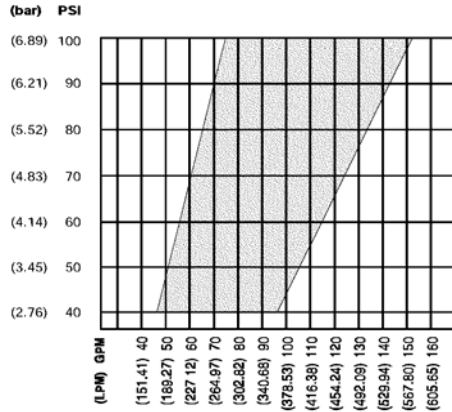


TOP VIEW

204 S. 6<sup>th</sup> Ave • Mansfield, Tx 76063 • (817) 473-9964 • FAX (817) 473-0606

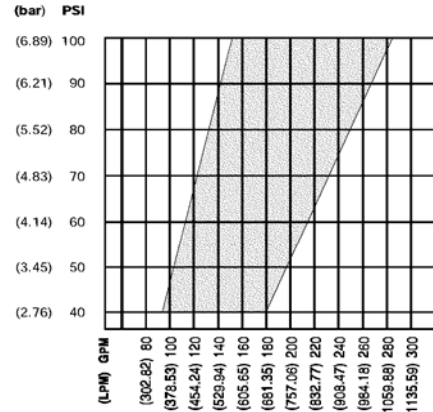
[www.chemguard.com](http://www.chemguard.com)

# FLOW RANGE CHARTS CHEMGUARD FOAM MAKERS & FOAM CHAMBERS



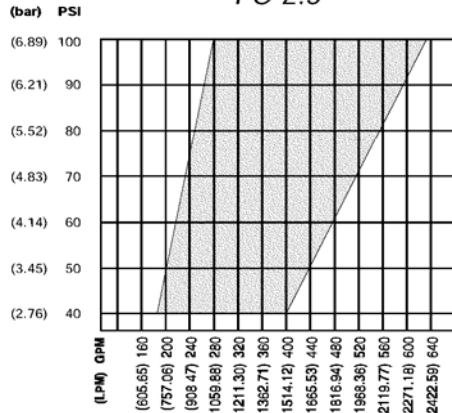
Flow @ 40 psi (2.8 bar) 47 - 97 gpm (178 - 367 lpm)  
Flow @ 100 psi (6.9 bar) 75 - 153 gpm (284 - 579 lpm)

**FC-2.5**



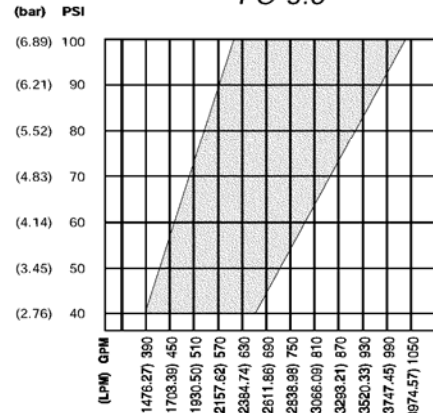
Flow @ 40 psi (2.8 bar) 96 - 179 gpm (363 - 678 lpm)  
Flow @ 100 psi (6.9 bar) 152 - 283 gpm (575 - 1071 lpm)

**FC-3.0**



Flow @ 40 psi (2.8 bar) 179 - 397 gpm (678 - 1503 lpm)  
Flow @ 100 psi (6.9 bar) 282 - 627 gpm (1067 - 2373 lpm)

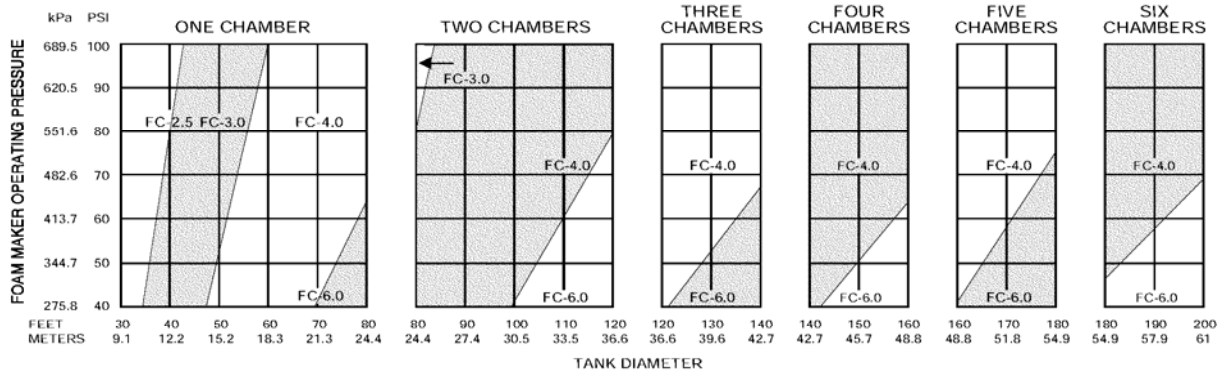
**FC-4.0**



Flow @ 40 psi (2.8 bar) 393 - 655 gpm (1488 - 2479 lpm)  
Flow @ 100 psi (6.9 bar) 620 - 1035 gpm (2347 - 3719 lpm)

**FC-6.0**

NOTE: 1. Solution flow can be specified for any flow/pressure combination within the shaded area.  
2. Flows noted at 40 and 100 psi (2.7 & 6.9 bar) are flows achieved through the smallest & largest orifice available for each device.



NOTE: SELECTION OF CHAMBER IS BASED UPON FOAM SOLUTION PRESSURE AT INLET TO FOAM MAKER. IF THIS PRESSURE IS MARGINAL, ALWAYS USE NEXT LARGEST CHAMBER SIZE.

d114rv896