

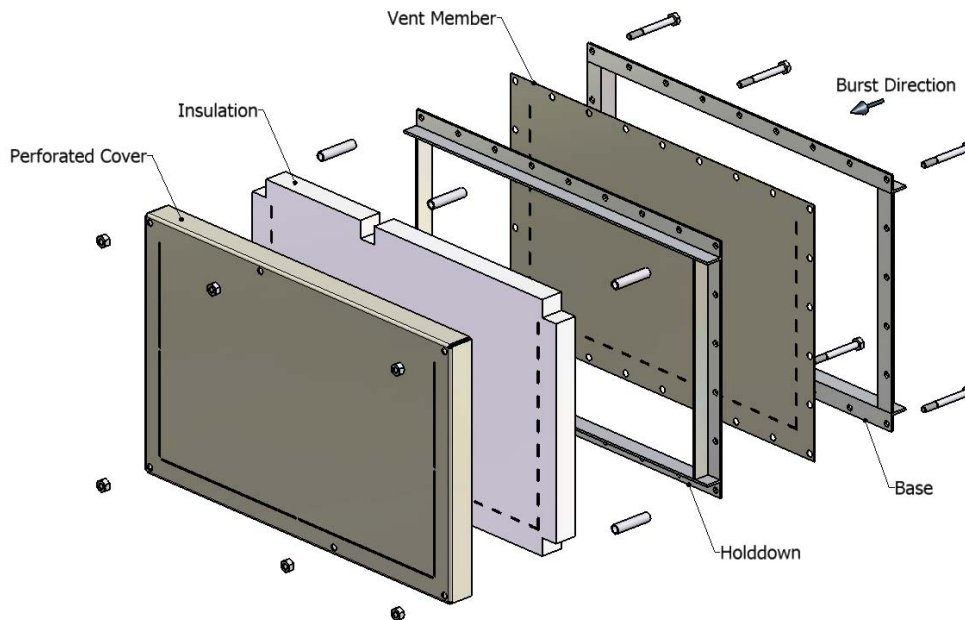
## EXPLOSION VENT ACCESSORY - ATMOSPHERIC INSULATION KIT

### DESCRIPTION

The Fike external insulation kit can be added to explosion vent assemblies to provide thermal insulation. Each assembly includes insulation (2" polystyrene or 1/2" duraboard), perforated SST cover and spacer kit (nuts, bolts, and spacers). This insulation helps prevent condensation in the protected enclosure and helps maintain process temperature control. Dynamic testing of complete vent and insulation assemblies has validated the explosion vent performance.

### SPECIFICATIONS

Thermal Resistance Factor, R:	$\frac{10 \text{ hr. ft}^2 \text{ }^\circ\text{F}}{\text{BTU}}$ (2" Polystyrene)  $\frac{1.0 \text{ hr. ft}^2 \text{ }^\circ\text{F}}{\text{BTU}}$ (1/2" Duraboard)
Maximum Insulation Temperature:	Polystyrene: 175°F (79°C) Duraboard: 2300°F (1260°C)
Compatible Vent Shapes:	Square and Rectangular
Compatible Vent Types:	CV, CV-SF, CV-I, CV-CF, CV-H, CV-S*, Vmax* * Requires additional hardware. Consult factory for details.



Form No. X.1.20.01-1

*(This page is left blank intentionally)*

