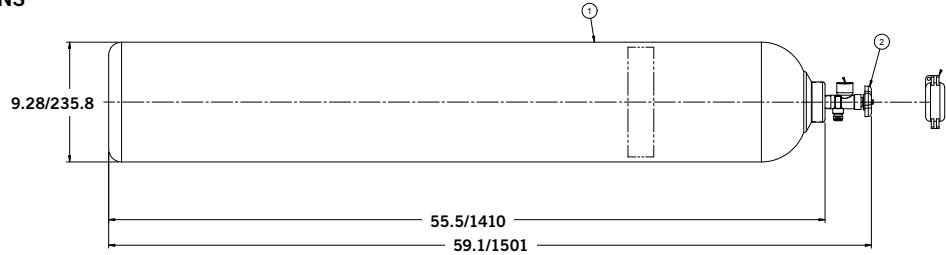


# Victaulic Vortex™ Fire Suppression System



SERIES 950 FOR USE WITH VICTAULIC VORTEX 1000  
AND VICTAULIC VORTEX 1500 FIRE SUPPRESSION SYSTEMS

## SERIES 950 NITROGEN SUPPLY OPTIONS



### 1. Standard tank properties:

- Material:** Chrome-moly steel AISI 4130x
- Minimum water capacity:** 108 lbs/49 kg
- Water volume:** 2995 in<sup>3</sup>/49 liter
- Approximate cylinder weight:** 134 lbs/60.8 Kg
- DOT service pressure:** 2400 psi/165.5 Bar
- Optional TC service pressure:** 183 bar.
- Test pressure:** 4000 psi/275.8 Bar

### 2. Valve properties:

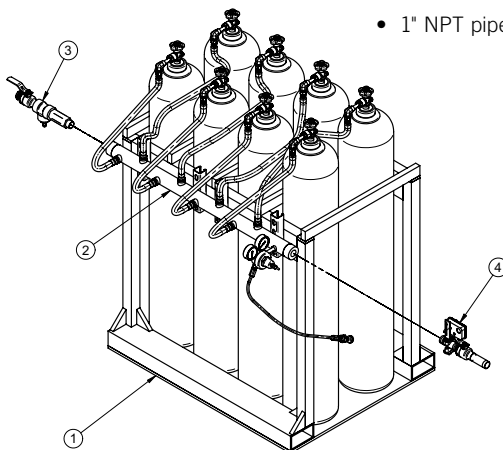
- Pressures:** Working 4,500 PSIG, Proof 7,600 PSIG, Test 5,400 PSIG, Burst 15,000 PSIG
- Pressure Relief:** Integrated Pressure Relief disc at 4000 psi
- Temperatures:** Operating = -50°F min/130°F max, Storage = -65°F min/155°F max.
- Leak rate:** Internal/external 1x10<sup>-3</sup> atm cc/s @ 5,400 psig.
- Life cycle:** 5,000 cycles minimum.
- Cv flow factor:** Standard .41.
- Standards conformance:** CGA V-9, CGA S1.1, CGA V-1, ISO 10297, EN 849, AS2473.

Note: All cylinder assemblies shall be piped using Victaulic Approved manifold hoses. Through CGA 580 Connections, number of cylinders for a Vortex Installation dependent upon hazard size and minimum Discharge time required.

## SERIES 950 MANIFOLD ASSEMBLY, NITROGEN

4, 6, 8 and 12 port assemblies available. Includes:

- Manifold
- Impermeable hose assembly with swivel assembly, ¼" NPT bottom, 3000 psi
- 1" NPT pipe plug (3000psi rated)



- 1 - Cylinder Rack
- 2 - Cylinder Manifold with Regulator Option
- 3 - Manifold Fill Assembly
- 4 - Manifold Isolation Switch Assembly

### JOB/OWNER

System No. \_\_\_\_\_  
Location \_\_\_\_\_

### CONTRACTOR

Submitted By \_\_\_\_\_  
Date \_\_\_\_\_

### ENGINEER

Spec Sect \_\_\_\_\_ Para \_\_\_\_\_  
Approved \_\_\_\_\_  
Date \_\_\_\_\_

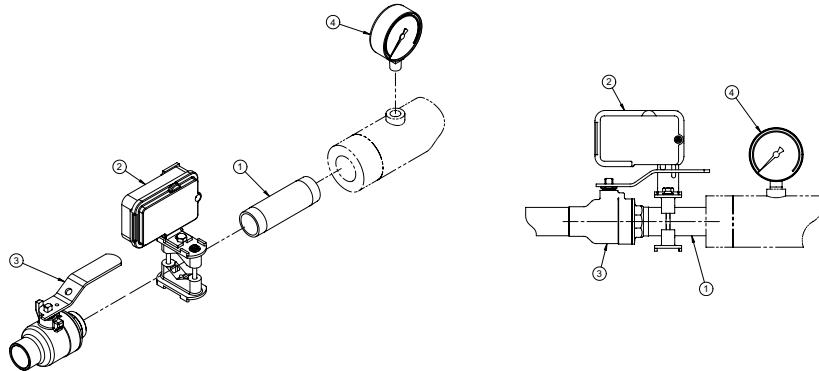
# Victaulic Vortex Fire Suppression System

SERIES 950

## SERIES 950 SWITCH ASSEMBLY FOR NITROGEN ISOLATION

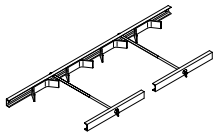
Includes:

1. Nipple, close pipe, 1" NPT x 1 1/2" NPT, Schedule 160, plain or galvanized steel
2. Supervisory Switch
3. Universal Ball Valve for 1" Ball Valve
4. Gauge, Valve, Ball, 1" FPT x 1" FPT (Hi-Pressure with Locking Handle Kit)

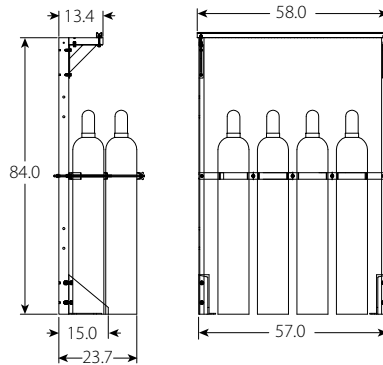


## SERIES 950 NITROGEN CYLINDER STORAGE RACKS

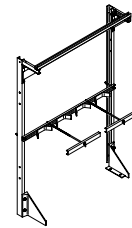
Racks available for 4, 6, 8 and 12 cylinder groupings.



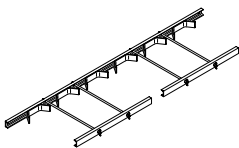
4 or 8 cylinder retainer support and tank wall mount storage



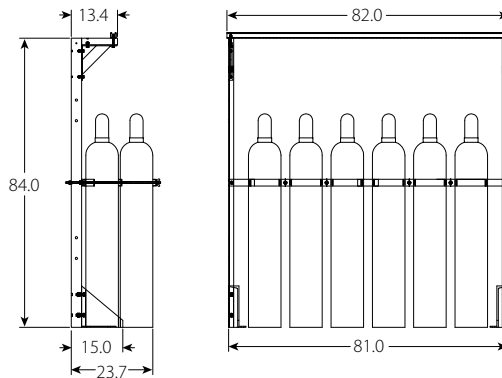
4 or 8 cylinder rack



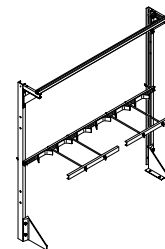
4 or 8 tank wall mount storage



6 or 12 cylinder retainer support and tank wall mount storage



6 or 12 cylinder rack



6 or 12 tank wall mount storage

## Victaulic Vortex™ Fire Suppression System

**SERIES 950 FOR USE WITH VICTAULIC VORTEX 1000  
AND VICTAULIC VORTEX 1500 FIRE SUPPRESSION SYSTEMS**

---

### **INSTALLATION**

Reference should always be made to the applicable I-VORTEX Design and Installation Manual for the product you are installing. Handbooks are included with each shipment of Victaulic products for complete installation and assembly data.

---

### **WARRANTY**

Refer to the Warranty section of the current Price List or contact Victaulic for details.

---

### **NOTE**

This product shall be manufactured by Victaulic or to Victaulic specifications. All products to be installed in accordance with current Victaulic installation/assembly instructions. Victaulic reserves the right to change product specifications, designs and standard equipment without notice and without incurring obligations.

---

For complete contact information, visit [www.victaulic.com](http://www.victaulic.com)

70.04 5466 REV E UPDATED 6/2011

VICTAULIC IS A REGISTERED TRADEMARK OF VICTAULIC COMPANY. © 2011 VICTAULIC COMPANY. ALL RIGHTS RESERVED.

70.04

