

## IMPULSE VALVE

### DESCRIPTION

The 1" and 3" Impulse Valves are a rupture disc (metal diaphragm), pressure operated device that allows the agent to be released from the container and into the protected enclosure via the associated piping network and discharge nozzle(s).

Fike Impulse Valves are equipped with four ports:

- Agent Discharge Port allows agent release from container and also fulfills the pressure relief valve requirements in accordance with DOT regulations.
- Agent Fill Port used to fill (refill) and pressurize the container and also used for the Low Pressure Switch.
- Actuator Port used to connect an Impulse Valve Operator (IVO) with Manual Strike Button for electric and manual actuation of the container or an Impulse Valve Pneumatic Operator (IVPO) for pneumatic operation.
- Pressure Gauge Port is used to connect a Pressure Gauge that will monitor internal container pressure, also equipped with an orifice plug that allows the pressure gauge to be removed safely when the container is pressurized.

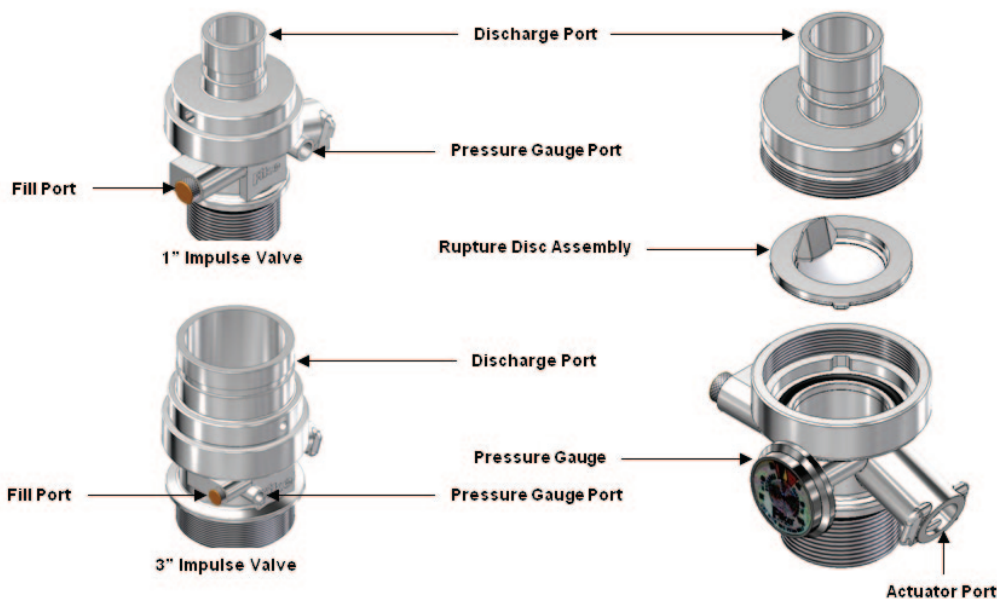


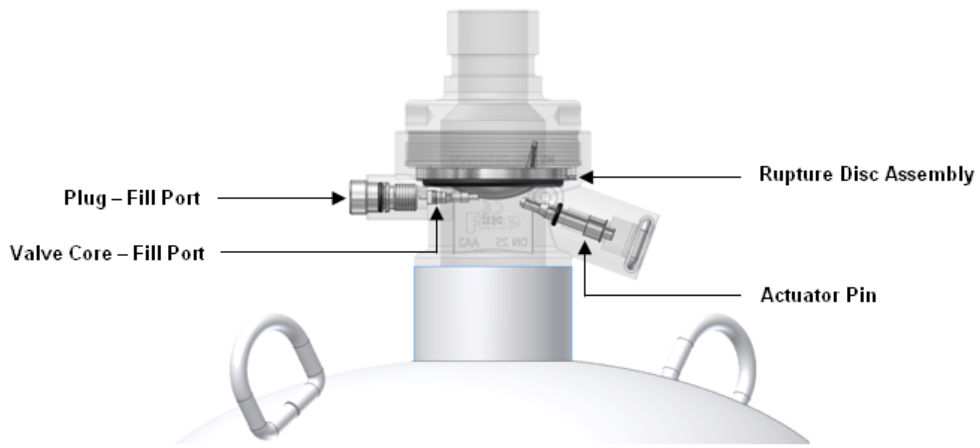
### SPECIFICATIONS

Valve Body: Brass  
 Rupture Disc Assembly: Hastelloy® C276/316 SST

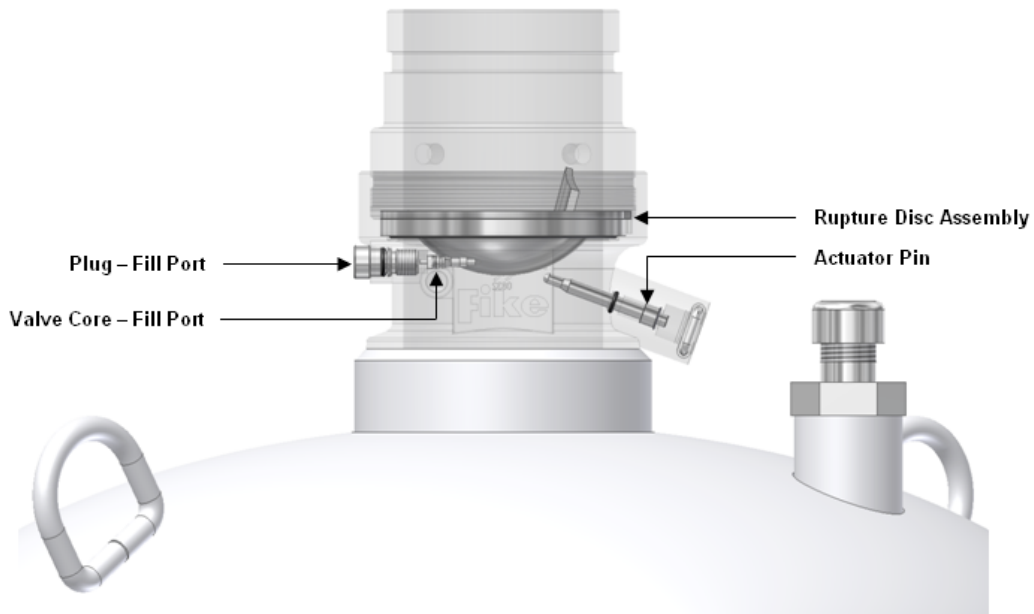
#### APPROVALS:

- UL Listed
- ULC Listed
- FM Approved





**Internal View – 1" Impulse Valve**



**Internal View – 3" Impulse Valve**