

Victaulic Vortex™ Fire Suppression System



**SERIES 950 FOR USE WITH VICTAULIC VORTEX 1000
AND VICTAULIC VORTEX 1500 FIRE SUPPRESSION SYSTEMS**

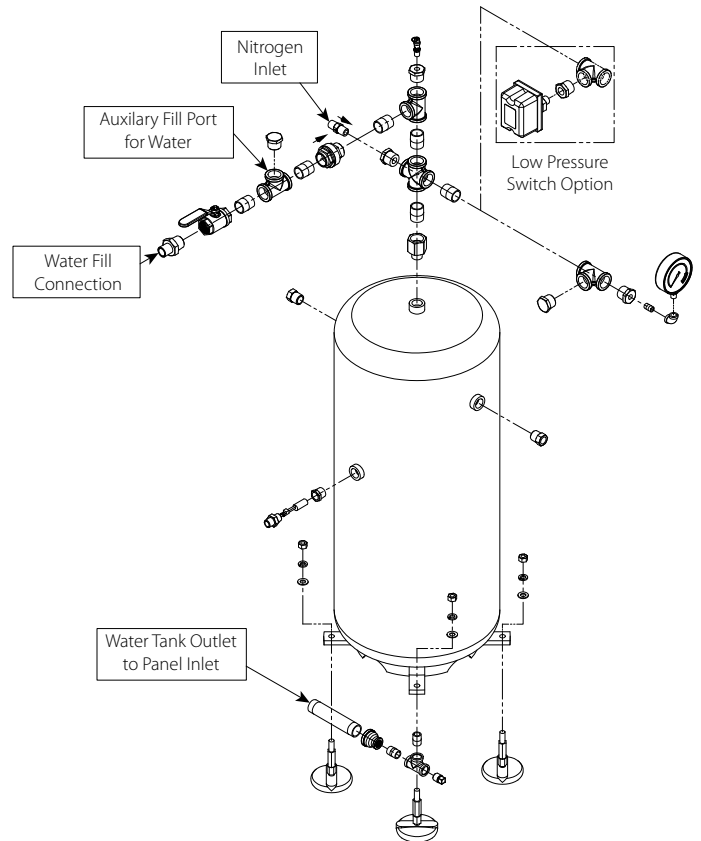
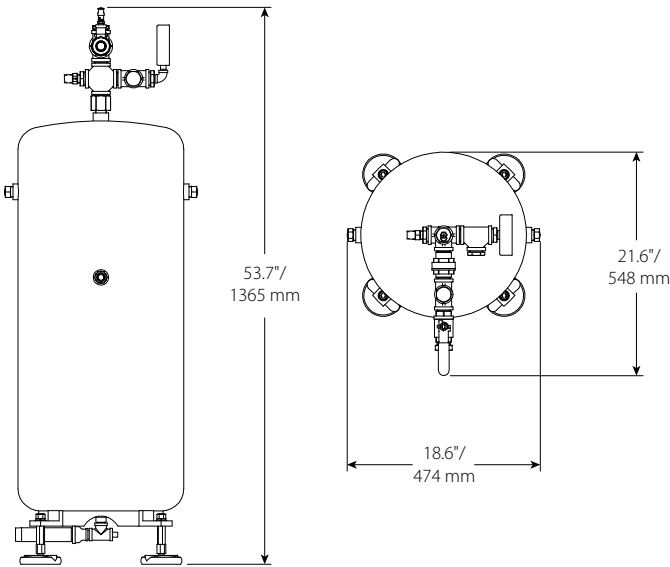
SERIES 950 WATER SUPPLY OPTIONS

The Victaulic Vortex system requires a supply of water either from a municipal pipe source or captive water supply. The tanks available from Victaulic are available in 30, 60, 80, 120 and 200 gallon configurations. All tanks ship with water-level gauges, supervised water level switches and sight glasses.

SERIES 950 WATER SUPPLY TANKS

Tanks include leveling mounts and stand vertically. Level sensors and pressure relief valves are standard components. Low pressure tank monitoring switch also available.

**SERIES 950 FIRE SUPPRESSION SYSTEM
30 GALLON TANK**



JOB/OWNER

System No. _____
Location _____

CONTRACTOR

Submitted By _____
Date _____

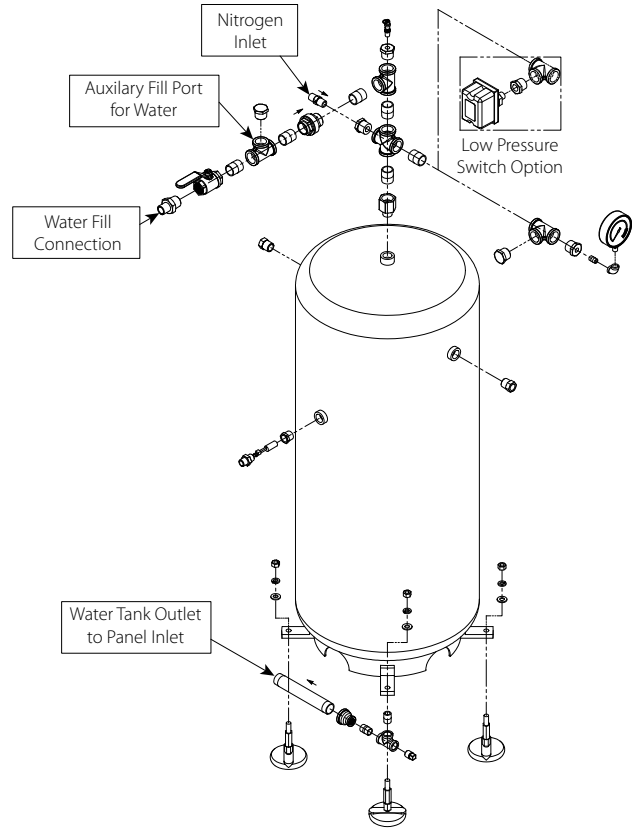
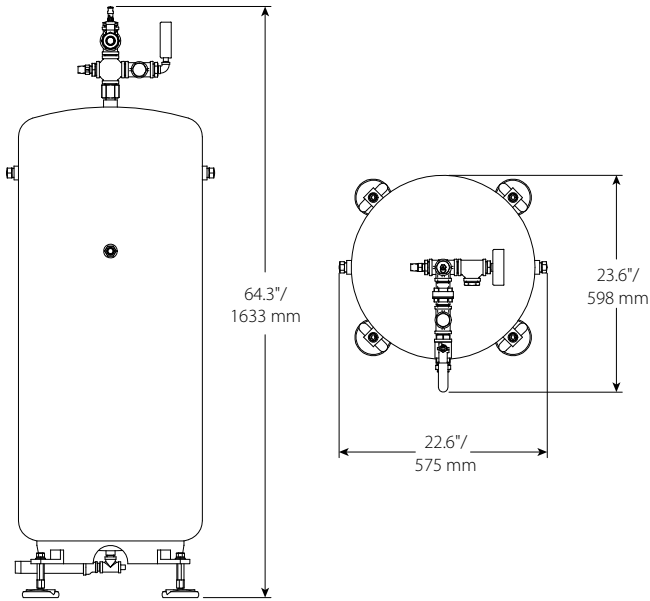
ENGINEER

Spec Sect _____ Para _____
Approved _____
Date _____

Victaulic Vortex™ Fire Suppression System

SERIES 950 FOR USE WITH VICTAULIC VORTEX 1000
AND VICTAULIC VORTEX 1500 FIRE SUPPRESSION SYSTEMS

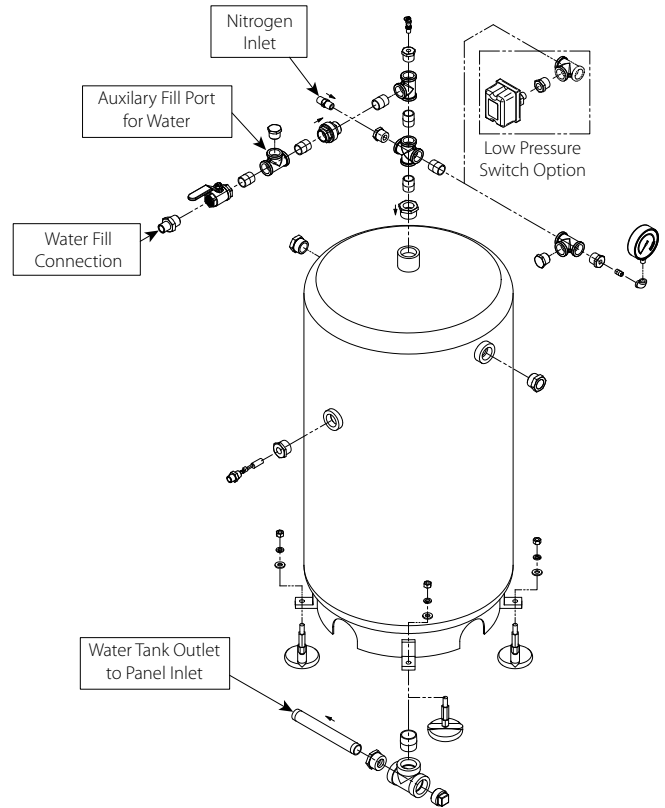
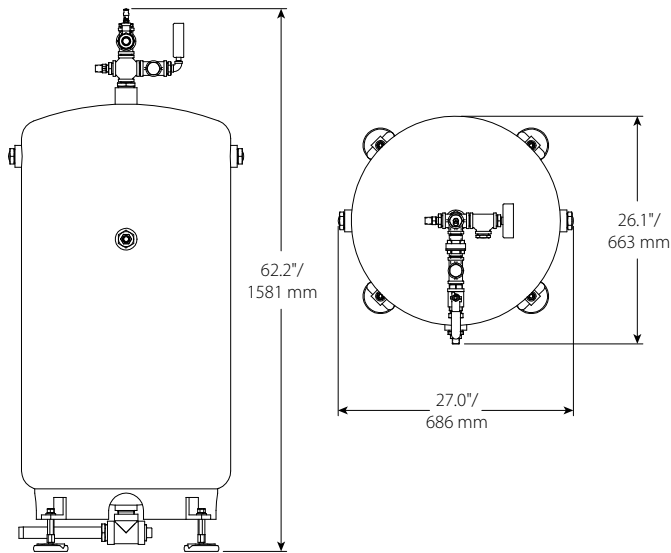
SERIES 950 FIRE SUPPRESSION SYSTEM
60 GALLON TANK



Victaulic Vortex™ Fire Suppression System

SERIES 950 FOR USE WITH VICTAULIC VORTEX 1000
AND VICTAULIC VORTEX 1500 FIRE SUPPRESSION SYSTEMS

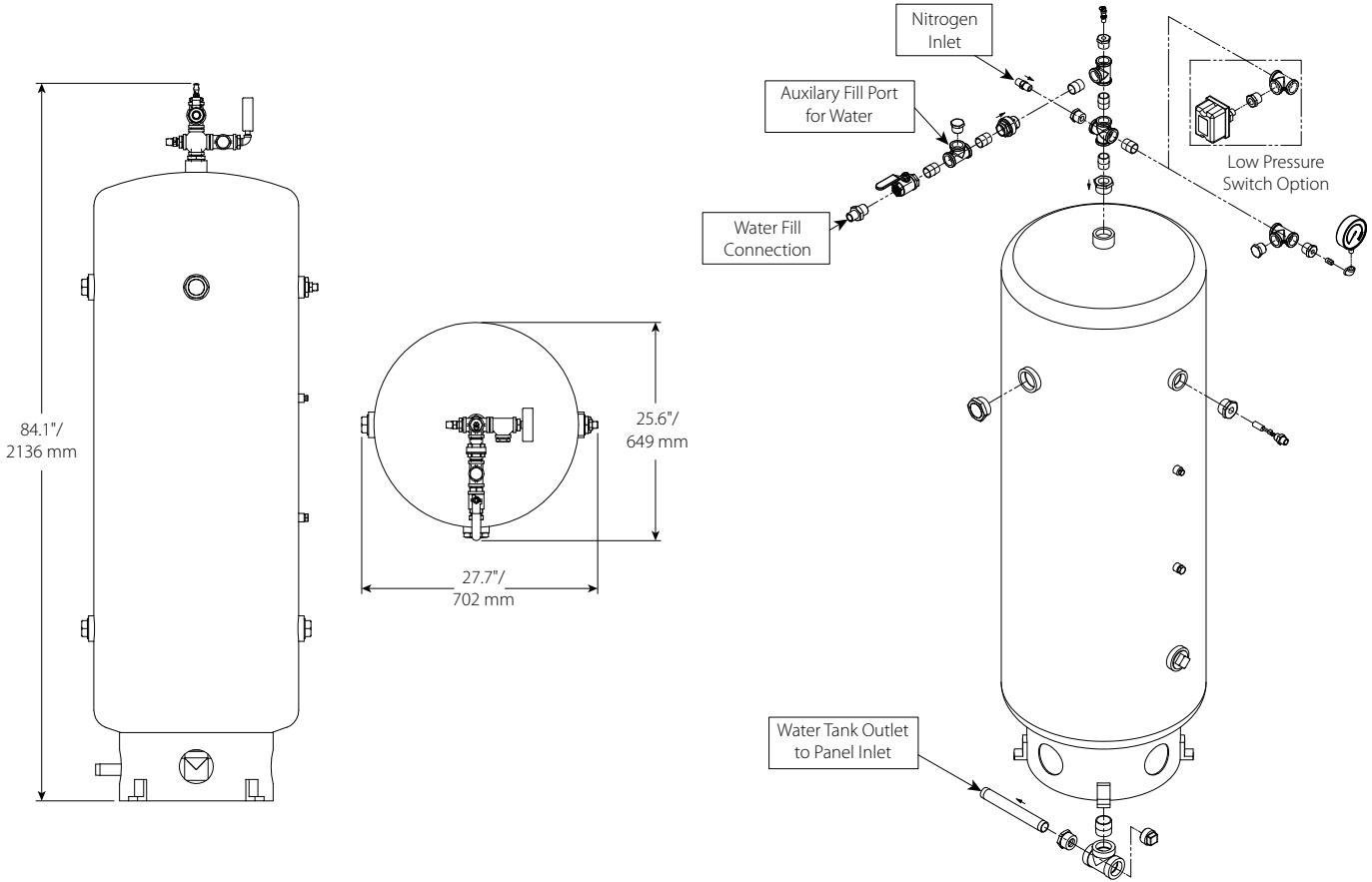
SERIES 950 FIRE SUPPRESSION SYSTEM
80 GALLON TANK



Victaulic Vortex™ Fire Suppression System

SERIES 950 FOR USE WITH VICTAULIC VORTEX 1000
AND VICTAULIC VORTEX 1500 FIRE SUPPRESSION SYSTEMS

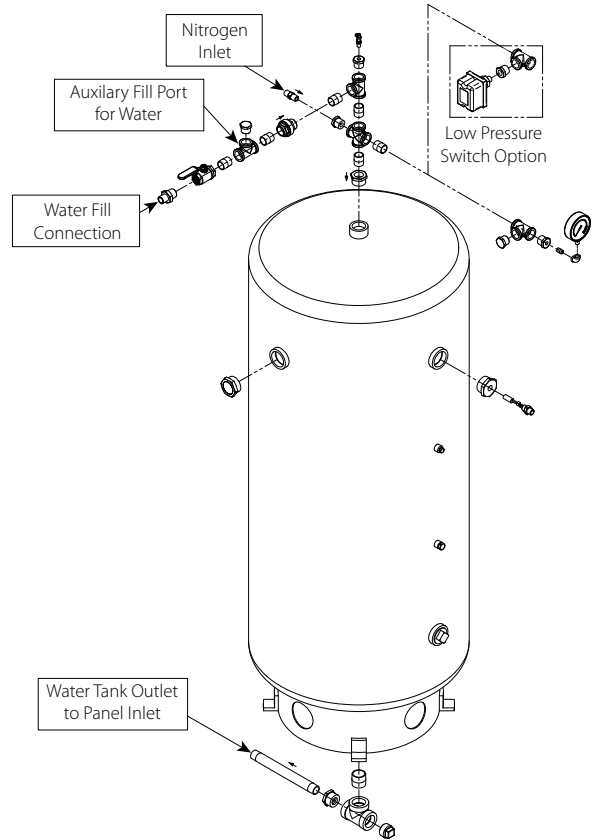
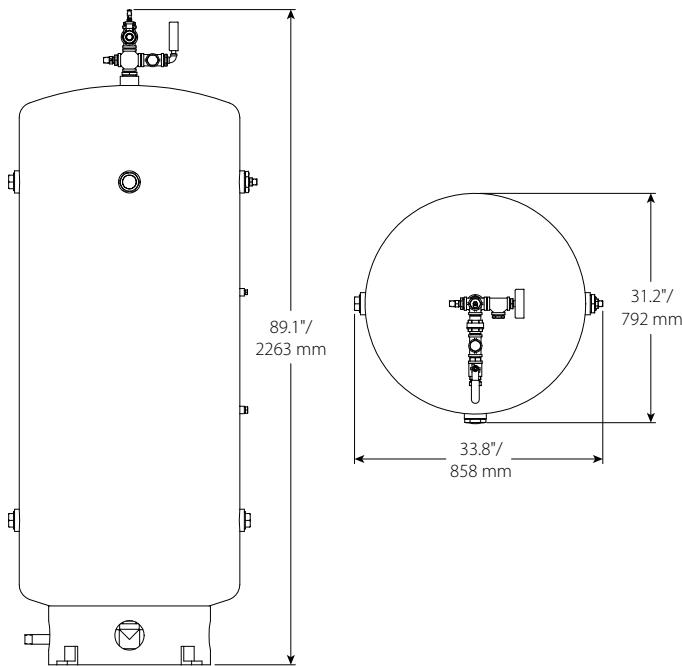
SERIES 950 FIRE SUPPRESSION SYSTEM
120 GALLON TANK



Victaulic Vortex™ Fire Suppression System

SERIES 950 FOR USE WITH VICTAULIC VORTEX 1000
AND VICTAULIC VORTEX 1500 FIRE SUPPRESSION SYSTEMS

SERIES 950 FIRE SUPPRESSION SYSTEM
200 GALLON TANK



INSTALLATION

Reference should always be made to the applicable I-VORTEX Victaulic Field Installation Handbook for the product you are installing. Handbooks are included with each shipment of Victaulic products for complete installation and assembly data.

WARRANTY

Refer to the Warranty section of the current Price List or contact Victaulic for details.

NOTE

This product shall be manufactured by Victaulic or to Victaulic specifications. All products to be installed in accordance with current Victaulic installation/assembly instructions. Victaulic reserves the right to change product specifications, designs and standard equipment without notice and without incurring obligations.

For complete contact information, visit www.victaulic.com

70.05 5467 REV C UPDATED 5/2011

VICTAULIC IS A REGISTERED TRADEMARK OF VICTAULIC COMPANY. © 2011 VICTAULIC COMPANY. ALL RIGHTS RESERVED.

