

# Victaulic Vortex™ Fire Suppression System

**SERIES 953 3/8 DC (DATA CENTER) EMITTER FOR USE WITH VICTAULIC VORTEX 1500 FIRE SUPPRESSION SYSTEMS**

The Victaulic Vortex fire suppression system is a dual-fluid hybrid fire suppression system. The homogeneous suspension of inert gas mixed with ultra-fine droplets of water mist protects enclosures with two extinguishment mechanisms that are occurring simultaneously: flame temperature cooling and lowering of the ambient oxygen level.



**SERIES 953 Emitter**

**PATENT # 7,721,811 - HIGH VELOCITY LOW PRESSURE EMITTERS. FOREIGN PATENTS ALSO APPLIED FOR AND GRANTED.**

**PRODUCT DESCRIPTION**

The Series 953 3/8 DC (Data Center) Emitter is a Victaulic-patented device designed to deliver the hybrid water and nitrogen mixture to the hazard at a high velocity low pressure. The water and nitrogen are mixed at the emitter and distributed as a homogenous suspension with great momentum. Using proprietary supersonic atomization technology, the emitter atomizes the water to <10µm forming a dense homogeneous suspension of nitrogen and water when discharged as total flooding fire suppression system.

**Emitter Kit Includes:**

- 3/4"/19 mm NPT strainer, 100 mesh
  - 3/4"/19 mm NPT 0.26 GPM/0.98 LPM flow cartridge
  - 3/4"/19 mm NPT fittings
  - 3/4"/19 mm NPT to 3/8"/9.5 mm copper tube compression fittings
  - 1/4"/6.4 mm NPT x 3/8"/9.5 mm 90° copper tube compression fitting
- NOTE: 3/8"/9.5 mm tubing is not included

**MATERIAL SPECIFICATIONS**

- Body (Foil, Water Jacket):** UNS C36000 or UNS S316000 Stainless
- Finish:** Plain Brass or Stainless Steel. Contact Victaulic for coatings other than standard options noted.
- Orifice Size:** 5/8"/16mm
- Nitrogen Flow:** 250 Standard ft<sup>3</sup> per minute/76.2 Standard m<sup>3</sup> per minute
- Water Flow:** 0.26 GPM/0.98 LPM
- Orientation:** Pendent or sidewall for data centers - avoid direct placement over equipment.
- Nitrogen Inlet:** 3/4"/19mm Male NPT
- Water Inlet:** 1/4"/6.4mm Female NPT
- Temperature Rating:** None, open

**JOB/OWNER**

System No. \_\_\_\_\_  
Location \_\_\_\_\_

**CONTRACTOR**

Submitted By \_\_\_\_\_  
Date \_\_\_\_\_

**ENGINEER**

Spec Sect \_\_\_\_\_ Para \_\_\_\_\_  
Approved \_\_\_\_\_  
Date \_\_\_\_\_

[www.victaulic.com](http://www.victaulic.com)

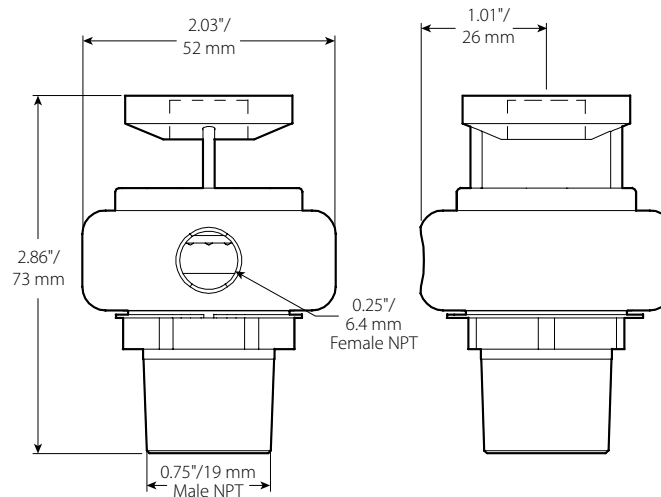
VICTAULIC IS A REGISTERED TRADEMARK OF VICTAULIC COMPANY. VICTAULIC VORTEX IS A TRADEMARK OF VICTAULIC COMPANY. © 2011 VICTAULIC COMPANY. ALL RIGHTS RESERVED.



## Victaulic Vortex™ Fire Suppression System

SERIES 953 5/8 DC (DATA CENTER) EMITTER FOR USE WITH  
VICTAULIC VORTEX 1500 FIRE SUPPRESSION SYSTEMS

### DIMENSIONS



### INSTALLATION

Reference should always be made to the applicable I-VORTEX Victaulic Design and Installation Manual for the product you are installing. Manuals are included with each shipment of Victaulic products for complete installation and assembly data.

### WARRANTY

Refer to the Warranty section of the current Price List or contact Victaulic for details.

### NOTE

This product shall be manufactured by Victaulic or to Victaulic specifications. All products to be installed in accordance with current Victaulic installation/assembly instructions. Victaulic reserves the right to change product specifications, designs and standard equipment without notice and without incurring obligations.

For complete contact information, visit [www.victaulic.com](http://www.victaulic.com)

70.09 6403 REV A UPDATED 5/2011

VICTAULIC IS A REGISTERED TRADEMARK OF VICTAULIC COMPANY. VICTAULIC VORTEX IS A TRADEMARK OF VICTAULIC COMPANY.  
© 2011 VICTAULIC COMPANY. ALL RIGHTS RESERVED.

