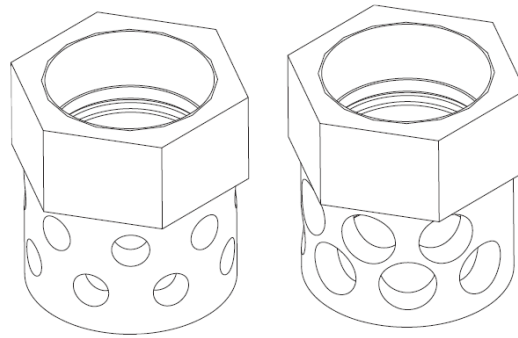


## Sevo 1230 Nozzles

### Description

The nozzle controls the flow and distribution in the protected area. Five nozzle sizes are available in aluminum: ½", 1", 1 ½", 2", and 2 ½". Each nozzle is available with a 360° 16 port (central) or 180° 9 or 7 port (sidewall) discharge pattern. The 9 port nozzles may only be used with FM approved systems.

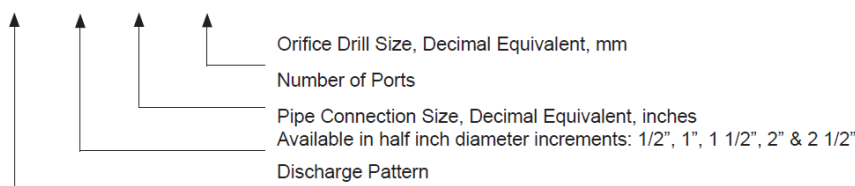


Pre-engineered Nozzles						
Cylinder Size	Type	Nozzle Size	Orifice Area	Drill Size	Part No.	
40 lb	Sidewall	1"	0.1963	0.1890	N180-1.0-0.1963	402
40 lb	Central	1"	0.1963	0.1250	N360-1.0-0.1963	401
76 lb	Sidewall	1"	0.4418	0.2835	N180-1.0-0.4418	402
76 lb	Central	1"	0.4418	0.1875	N360-1.0-0.4418	401
164 lb	Sidewall	1.5"	0.7854	0.3780	N180-1.5-0.7854	404
164 lb	Central	1.5"	0.7854	0.2500	N360-1.5-0.7854	403
322 lb	Sidewall	2.0"	1.4849	0.5197	N180-2.0-1.4849	406
322 lb	Central	2.0"	1.4849	0.3437	N360-2.0-1.4849	405
601 lb	Sidewall	2.0"	1.1075	0.4880	N180-2.0-1.1075	406
601 lb	Central	2.0"	1.1075	0.2969	N360-2.0-1.1075	405
910 lb	Sidewall	2.0"	2.0739	0.6088	N180-2.0-2.0739	406
910 lb	Central	2.0"	2.0739	0.4207	N360-2.0-2.0739	405

Engineered Nozzles			
Type	Nozzle Size	No. of Ports	Part No.
Sidewall	1/2"	7	N180-0.5-7-xx
Central	1/2"	16	N360-0.5-16-xx
Sidewall	1"	7	N180-1.0-7-xx
Central	1"	16	N360-1.0-16-xx
Sidewall	1.5"	7	N180-1.5-7-xx
Central	1.5"	16	N360-1.5-16-xx
Sidewall	2.0"	7	N180-2.0-7-xx
Central	2.0"	16	N360-2.0-16-xx
Sidewall	2.5"	7	N180-2.5-7-xx
Central	2.5"	16	N360-2.5-16-xx



Engineered Nozzles					
* Nozzle size is determined based on Hydraulic Flow Calculation					
N	180	x.x	xx	xxxx	
N	360	x.x	xx	xxxx	



**FOR USE BY ARCHITECTS AND ENGINEERS**