

CO₂ PRESSURE TRIP

DESCRIPTION

The Pressure Trip (P/N C70-230) is constructed of brass with two 1/4" (8mm) NPT hubs for pressure connections to the discharge piping. Additional pressure trips can be connected together by running the pressure supply lines from one pressure trip to the next.

The cable from the equipment to be operated is looped over the release stem. When the pressure trip is operated, the stem retracts and the cable is released. The maximum load that can be hung on the stem is 100 lbs. (45.4 kg).

Notes:

1. Release cable, when used, is provided by the installer
2. One 1/4" (8mm) NPT pressure port must be plugged on single device installations or on the last device in "daisy-chain" installations. The 1/4" (8mm) NPT pipe plus is provided by the installer

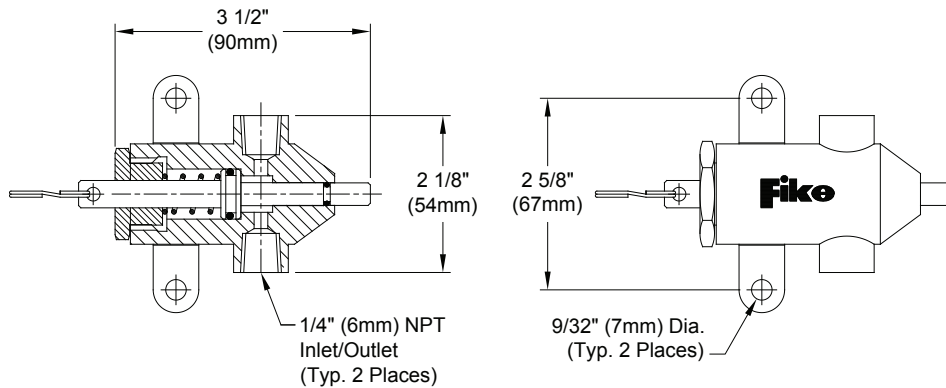
APPLICATION

The Pressure Trip is used to release spring or weight activated devices to close doors and windows, open fuel dump valves, close fire dampers or close fuel supply valves. The pressure trip can be operated manually, by use of the pull ring; or pneumatically by the agent discharge pressure.

SPECIFICATIONS

Part Number: C70-230
Material: Brass

PRESSURE TRIP DIAGRAM



APPROVALS:

- UL Listed - Ex 4447
- ULC Listed - CEx 1312
- FM Approved - 3002238/0D8A9.AF
- USCG - 162.161/2/0 (HFC-227ea)
- USCG - 162.038/12/0 (CO₂)



(This page is left blank intentionally)