

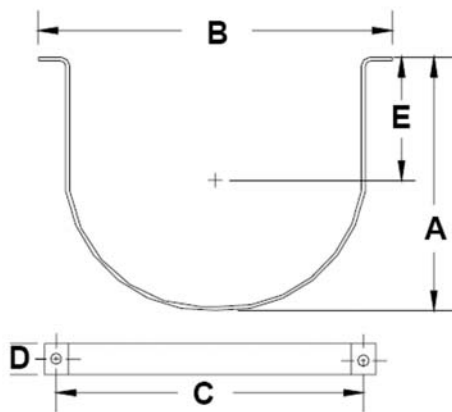
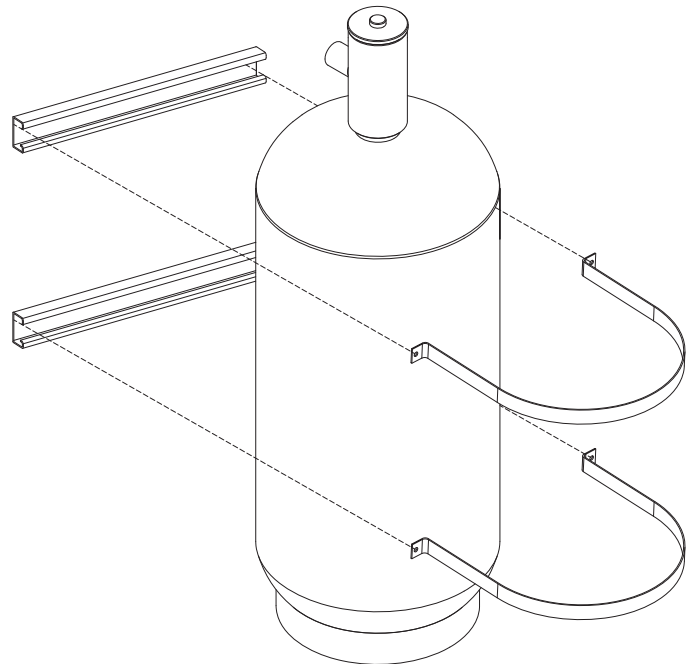
SEVO 1230 Cylinder Straps

ST 10100, ST 10200, ST 10600, ST 10900

Utilizing 3M™ Novec™ 1230 Fire Protection Fluid

Description

The mounting bracket provides a means to securely attach the cylinder to a wall or Unistrut frame channel. They cylinder brackets are manufactured of stainless steel band formed to the radii of the cylinders with flanges for bolting to continuous slot metal framing channel (12 gauge steel with corrosion-resistant paint or galvanized 1100 H Unistrut.) The channel bracket is to be provided by the installer. The cylinder bracket must be secured to a solid surface that will withstand the cylinder load with the cylinder weight floor supported. This precaution is necessary for the bracket to safely support the weight of the cylinder and the reaction force during discharge of the FK-5-1-12. All cylinders must be mounted in a vertical position and rest firmly on the floor or mounting surface.



Note:

If one bracket is required, it must be centered on the cylinder.

If two brackets are required, they must be spaced evenly over the height of the cylinder at one-third and two-third measurements from the floor.

Part Number	Brackets Required	Cylinder Size (lb)	Dimensions (inches)				
			A	B	C	D	E
ST10100	1	40 & 76	9.9	12.3	11.3	1.4	4.8
ST10200	1	164	12.7	15	14	1.4	6.5
ST10600	1	322	22.3	19.9	21.3	1.4	9.8
ST10600	2	601	22.3	19.9	21.3	1.4	9.8
ST10900	2	910	24	27	26	1.63	12.25

Part Number	Brackets Required	Cylinder Size (L)	Dimensions (mm)				
			A	B	C	D	E
ST10100	1	15 & 29	250.83	304.8	279.4	35.56	125.22
ST10200	1	62	322.58	381	355.6	35.56	165.1
ST10600	1	122	514.35	606.55	571.5	35.56	254
ST10600	2	227	514.35	606.55	571.5	35.56	254
ST10900	2	368	609.6	682.24	657.1	41.4	311.25

FOR USE BY ARCHITECTS AND ENGINEERS

This page intentionally left blank

FOR USE BY ARCHITECTS AND ENGINEERS
