



Remote Control Fire Fighting System



GASEOUS
SUPPRESSION



WATER
SUPPRESSION



FOAM
SUPPRESSION



EXPLOSION
PROTECTION



FIRE
DETECTION



MILITARY
& DEFENCE



SPECIAL
APPLICATIONS

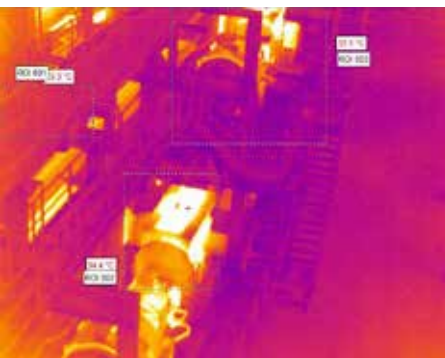


SUPPORT
SERVICES

Remote Control Fire Fighting System

“EVERY SOLUTION FOR YOUR SPECIAL HAZARD PROBLEMS”

“Thermal Imaging Detection systems can be coupled with leading edge water & foam monitors to effectively & efficiently detect & extinguish fires in coal stacks & coal bunkers automatically”



HOT SPOT DETECTION

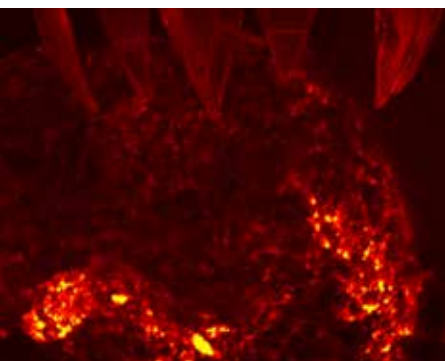
The DIAS thermal imaging fire detection system is a reliable system for surveillance and recognition of spontaneous hot spots and fires inside coal stacks, bunkers, open air waste dumps etc.

The high performance infrared cameras PYROVIEW 380L are combined with the powerful software PYROSOFT FDS for analysing the thermographic images, allowing for very early warning of hot spots and fires.

The infrared cameras PYROVIEW 380L can be mounted either fixed or on a pan-tilt head to automatically monitor a user defined area to be observed, continuously quantifying the surface temperature distribution of that specific region.

The PYROSOFT FDS software then checks the temperatures inside the Regions Of Interest where an alarm will be raised if the predefined temperature limits are exceeded. All alarms and system status are displayed on a computer at the remote viewing station and the control box will transmit the alarm and the precise location of the fire to automatically control the water monitors via either dry contact relays or high level interface.

The area to be monitored is subdivided into so-called Regions Of Interest which are approached cyclically by the pan-tilt-head.



If a hotspot is detected, the coordinate of the fire can be calculated with the pan and tilt information to either open valves to self-oscillating monitors or remotely operate monitors for more accurate fire-fighting capabilities.

HYDRAULICALLY DRIVEN WATER & FOAM OSCILLATING MONITORS

The cooling medium ‘water’ or water foam solution can be applied over the selected area automatically when electrically activated by the fire control system. The oscillating water monitors are set to horizontally transverse over a preset area which will cool a detected fire at a distance of up to 70m requiring no manual intervention. Overriding the oscillation mechanism manually is possible to further direct a system discharge locally at each monitor assembly.

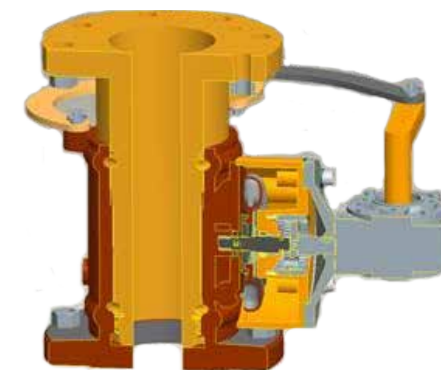
The equipment utilised is designed and tested to provide the finest water flow performance characteristics and for integrating with the latest technology. The water monitor offers maximum travel for optimal coverage in a compact, economical package. A fixed nozzle with built-in stream shaper is designed for flows of up to 4800 LPM and is ideal for heavy-duty use on fixed monitors. An oscillation range up to 165° and is achievable with unique maintenance-free polymer bearing design, high quality material construction and superior performance.

The equipment can be provided in a modular mechanical assembly complete with automatic means of operation and isolation facility. It is the ideal choice for a long-term low maintenance option located in a harsh environment.

Key Performance Characteristics:

- 360° of horizontal movement
- Elevation 90° above to 45° below horizontal
- Oscillation range: 30°, 60°, 90°, 115°, 140° and 165°
- Adjustable oscillation speed: 0-40 deg. / second

*In addition to this product range, fully programmable & addressable monitor systems are available. For further information please email enquiries@fire-protection.com.au



PRODUCTS:

Gaseous Suppression



Inert Gas (IG-01, IG-55, IG-100, IG-541)
Novec 1230™ Fluid (FK-5-1-12)
FM-200® / NAF S 227 (HFC-227ea.)
Ecaro 125® / NAF S 125 (HFC-125)
Carbon Dioxide (CO₂)
Hybrid Systems (N₂ / Water)
Pressure Relief Vents
Enclosure Integrity Testing Equipment
Pipe & Fittings

Water Suppression



Water Mist - High Pressure
Water Mist - Intermediate Pressure
Water Mist - Low Pressure
Hybrid Systems (Water / N₂)
Monitors & Delivery Systems
High Speed Deluge

Foam Suppression



Foam Concentrates
Foam Proportioning
Foam Delivery Systems
Foam Concentrate Testing

Explosion Protection



Explosion Suppression
Explosion Isolation
Explosion Vents & Pressure Relief
Spark Suppression
Explosibility Testing

Fire Detection



Linear Heat Detection - Digital
Linear Heat Detection - Fibre Optic
Linear Heat Detection - Micro Chip
Flame Detection
Video Imaging Detection
Spark Detection
Control & Indicating Equipment
Thermal Imaging Detection
Aspirating Smoke Detection

Military & Defence



Military Vehicles
Naval Vessels

Special Applications



Micro Environment
Oxygen Reduction
Kitchen Protection Systems
Dry Chemical
Vehicle Systems
Compressed Air Foam
Marine & Offshore
Vapour Mitigation

Support Services



Design / Engineering
Technical Support
Services & Testing

Australia

Head Office

Unit 1, 251 Ferntree Gully Road
Mt Waverley VIC 3149
Australia

Brisbane Office

Unit 7, 93 Rivergate Place
Murarrie QLD 4172
Australia

Perth Office

Unit 4, 35 Colin Jamieson Place
Welshpool WA 6106
Australia

Sydney Office

Suite 2D, Pegasus Business Centre
3 Racecourse Road,
West Gosford NSW 2250
Australia

1300 742 296

Int: +61 3 8542 8900

www.fire-protection.com.au

New Zealand

Auckland Office

Unit 2, 13 Airborne Road
Albany North Shore 0632
New Zealand

+64 9 415 5488

www.fire-protection.net.nz

South East Asia

Regional Head Office

11 Yishun Industrial Street 1,
#03-96 Singapore, 768089

+65 6635 7060

www.fire-protection.com.sg



'Every solution for your special hazard needs'