

# Titan 1230 Pressure Gauge

## Titan1230 Pressure Gauge

### Features:

Working Pressure: 16.5 bar / 240 psi  
 Range: 0 – 41.3 bar / 0 – 600 psi

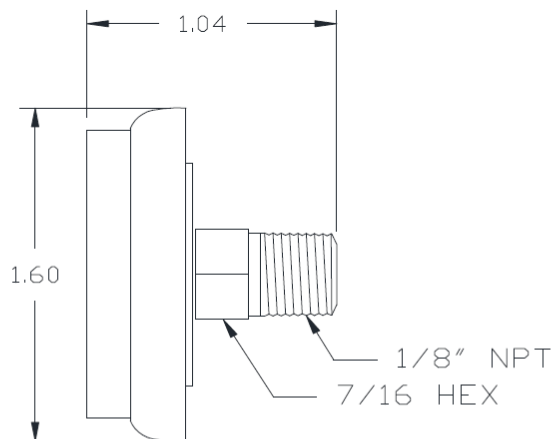
### Description:

The Pressure Gauge is a means of visual indication of the pressure condition within the Agent Container.

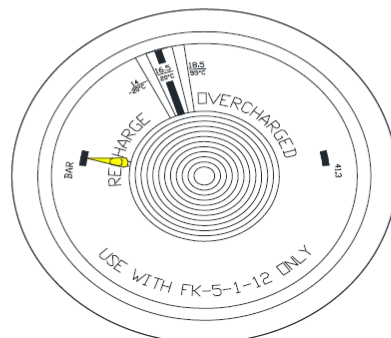
### Specifications:

Connection: 16.5 bar / 240 psi  
 Approval: UL  
 Part Number: M5011-240/500

SIDE VIEW



FRONT VIEW



**FOR USE BY ARCHITECTS AND ENGINEERS**