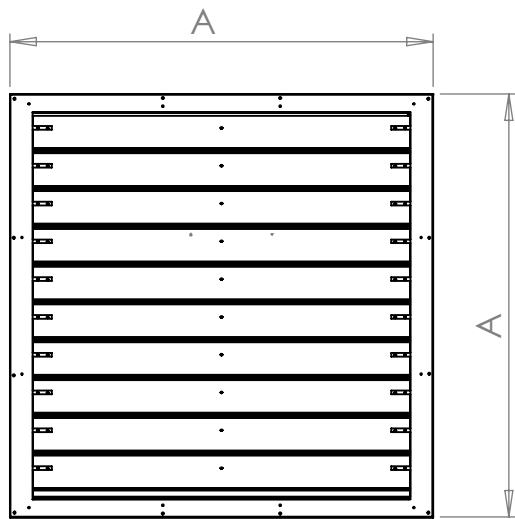
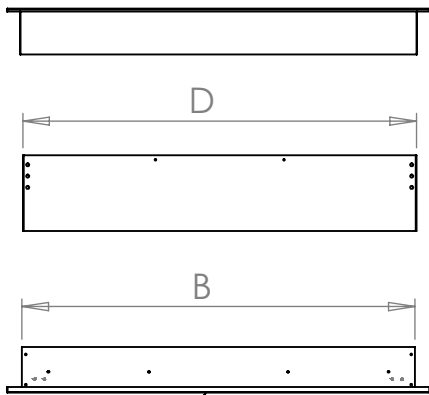
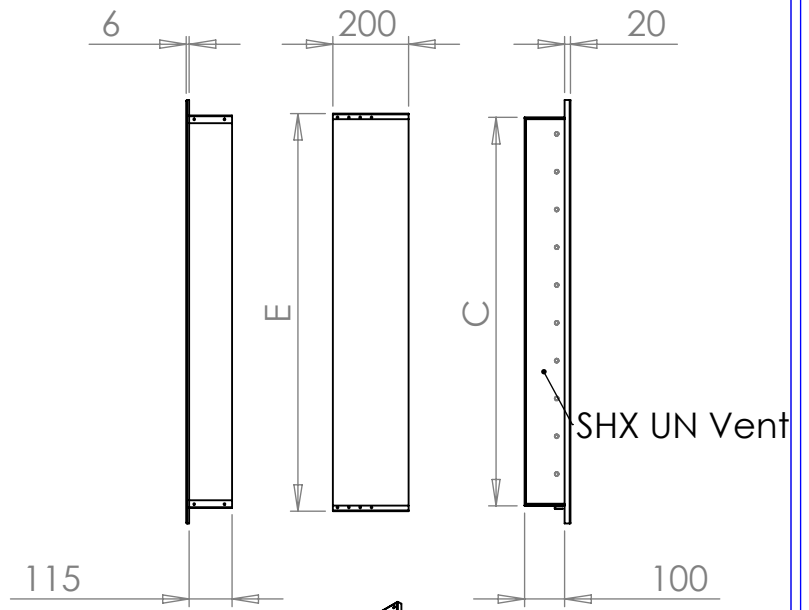


SHX Universal Dimension Chart.

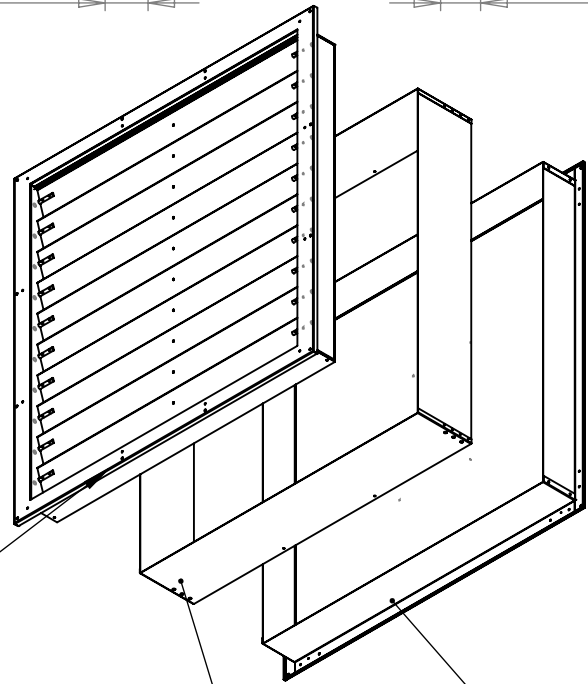


SHX UN Vent



SHX UN Vent

SHX UN Vent



SHX UN Wall Liner

SHX UN Wall Liner Extension.

DIM.	SHX UN 300	SHX UN 500	SHX UN 700	SHX UN 1000
A	420	620	820	1120
B	340	540	740	1040
C	325	525	725	1025
D	355	555	755	1055
E	345	545	745	1045
Total Parts Weight	15kg	25kg	41kg	65kg
Hole Cutout Width	360	560	760	1060
Hole Cutout Height	350	550	750	1050

Note:

The new SHX UN unit can be fitted into walls from 1.0mm to 400mm thick without the need for any other parts.

File Name. SHX UN Data Sheet

Rev No: 0

THE INFORMATION CONTAINED IN THIS DRAWING IS THE SOLE PROPERTY OF AFP Air Technologies LLP. ANY REPRODUCTION IN PART OR AS A WHOLE WITHOUT THE WRITTEN PERMISSION OF AFP Air Technologies LLP. IS PROHIBITED. PROPRIETARY AND CONFIDENTIAL