

Technical Data Sheet
SEVO 1230 500 psi Pressure Gauge
Integrated Switch

M5011

Features:

Working Pressure: 34.5 bar

Range: 0-51.75 bar

Output Contact Rating:

- Switching Voltage: 170V DC or peak AC
- Switching Current: 0.5A DC or peak AC
- Carry Current: 0.5A DC or peak AC

Tether: 24"

Description:

The pressure gauge integrated switch is a means for both visual and electronic monitoring of the pressure condition within the cylinder. Furthermore, the pressure gauge integrated switch eliminates the need for a separate pressure switch.

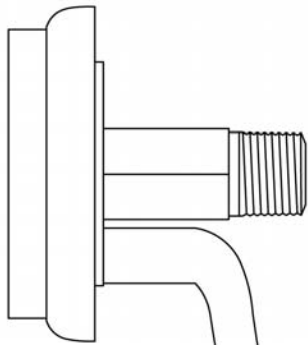
Specifications:

Connection: 1/8" NPT

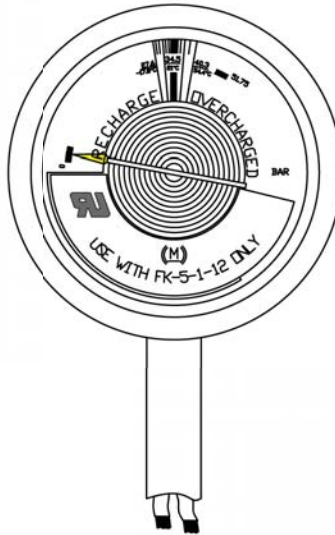
Approval: FM, UL & ULC

Part #: M5011-500 PSN

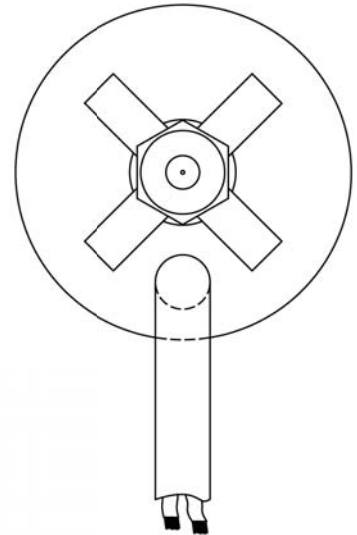
SIDE VIEW



FRONT VIEW



BACK VIEW



FOR USE BY ARCHITECTS AND ENGINEERS